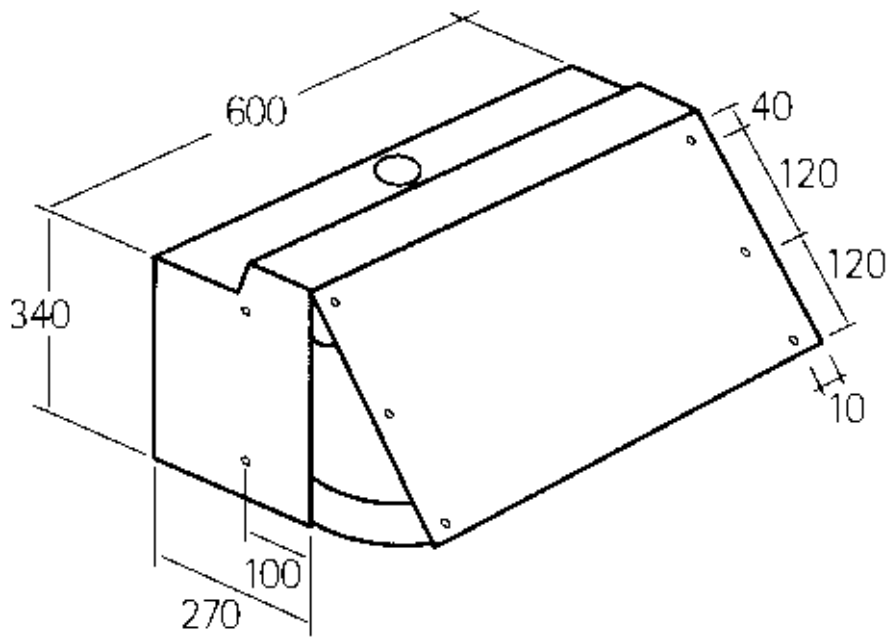


Model I



- Integrated built-in cooker hood
- Extract or recirculation
- 2 x 40w lights
- 1 washable grease filter
- Available in 60cm width
- White or grey
- 3 speeds
- Powerful centrifugal single or twin motors
- **Single Motor:**
 - watts - 125w
 - max airflow - 240 m³/hr
 - max air pressure - 155 Pa
- **Twin Motor:**
 - watts - 2 x 125w
 - max airflow - 340 m³/hr
 - max air pressure - 280 Pa

Model I



Vectaire Ltd
Lincoln Road
Cressex Business Park
High Wycombe
Bucks, HP12 3RH
Tel: +44(0)1494 522333
Fax: +44(0)1494 522337
Email: sales@vectaire.co.uk

